

EXPLOSION-PROOF INSTRUMENTS

ProtEX™
MAX



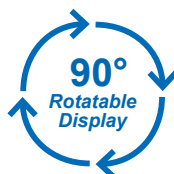
ProtEX-MAX • Model PD8



Approvals apply to enclosure only.

- Modern, Sleek and Practical Enclosure
- Display Mountable at 0°, 90°, 180°, & 270° Degrees
- Explosion-Proof, IP68, NEMA 4X Enclosure
- Models Available with PROVU®, Trident X2, Snooper, or Vigilante® II Functionality
- SafeTouch® Through-Glass Button Programming
- Password Protection (Display models)
- Modbus® RS-485 Serial Communications (Select models)
- Flanges for Wall or Pipe Mounting

SAFE TOUCH®
Through-Glass
Button Programming



190+

models to choose from

PROCESS

DUAL-INPUT

FLOW RATE/TOTAL

BATCH CONTROL

TEMPERATURE

STRAIN GAUGE

PROCESS & TEMP

MODBUS INPUT

ANNUNCIATORS

**PRECISION
DIGITAL**

PRECISION DIGITAL CORPORATION

www.predig.com

OVERVIEW

The ProtEX-MAX Series has been designed to offer the functions and features of any ProVu®, Trident X2, Snooper, or Vigilante® II model in a great looking explosion-proof housing. However, the PD8 series is not just an 1/8 DIN meter mounted in an explosion-proof housing. A special bezel and electronics were designed exclusively for the ProtEX-MAX. The bezel and faceplate give the front panel a very finished appearance and house the additional electronics for the PD8. Program and operate the meter without opening the housing using the built-in SafeTouch® through-glass button programming or the serial communication port with free Modbus® protocol.

KEY FEATURES

Through-Glass SafeTouch® Buttons

The PD8 is equipped with up to 4 sensors that operate as through-glass buttons so that it can be programmed and operated without removing the cover (and exposing the electronics) in a hazardous area. These buttons can be disabled for security by selecting the LOCK setting on the switch located on the connector board in the base of the enclosure. To actuate a button, press one finger to the glass directly over the marked button area. When the cover is removed, mechanical buttons located on the faceplate are used.



Modern, Sleek and Practical Enclosure

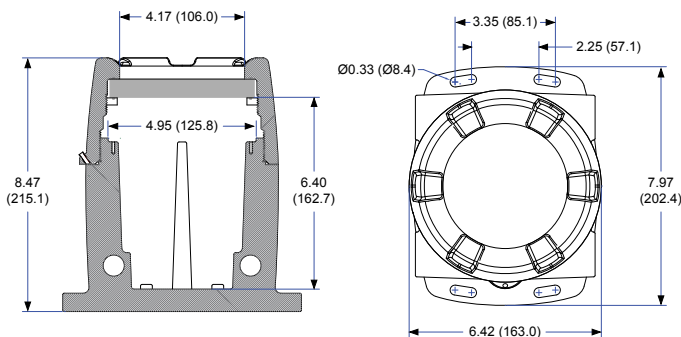
The first thing customers notice about a product is its enclosure and the ProtEX-MAX really shines here. The copper-free (0.30%), smooth, die-cast aluminum NEMA 4X (IP68) enclosure is finished with a corrosion resistant epoxy coating that literally does make the ProtEX-MAX shine. The built-in mounting flanges make for convenient wall or pipe mounting and there is even a slot on the back of the enclosure for centering on the pipe. There are four 3/4" NPT conduit holes for wiring (two metal conduit plugs supplied).

Serial Communications

Modbus and RS-485 are standard with all ProtEX-MAX models except PD8-154 and PD8-158. RS-232 may be added to the ProVu® and Trident for local serial communications. Refer to PD8 manual addendum.

DIMENSIONS

Units: Inch (mm)



INSTRUMENT SPECIFICATIONS

Refer to the data sheets for the meter/controller integral to the PD8.
Weight: approx. 16.0 lbs (256 oz, 7.26 kg)

Enclosure Ratings & Approvals

FM & CSA: FM Approved & CSA Certified. Explosion-proof for use in Class I, Division 1, Groups B, C, and D; Dust-Ignition-proof for Class II, Division 1, Groups E, F, and G, Class III; hazardous (classified) locations, USA: Indoor and outdoor (Type 4X and IP66); Ta = -40 to +185°F
FM Certificate: 3037455
Canada: Indoor and outdoor (Type 4X); Ta = -40 to +85°C
CSA Certificate: 2341214
ATEX & IECEx: ATEX Certified: Group 2, Category 1 (Zone 1), Gases, Vapors, Mists, or Dusts: II 2 G D, Ex d IIC Gb, Ex tb Db IIIC IP68.
Ta = -40 to +85°C. ATEX Certificate: Sira 10ATEX1200U
IECEx Certified: Flameproof, Gas Group IIC, Ex d IIC Gb, Ex tb IIIC IP68.
Ta = -40 to +85°C. IECEx Certificate: IECEx SIR 10.0102U

ORDERING INFORMATION

ProtEX-MAX PD8 • Explosion-Proof Instruments	
Base Model	Description
PD8-154	4-Point Alarm Annunciator
PD8-158	8-Point Alarm Annunciator
PD8-765	Process & Temperature Meter (Trident X2 model only)
PD8-865	Modbus Serial Input Meter
PD8-6000	Process Meter
PD8-6060	Dual-Input Process Meter
PD8-6100	Strain Gauge Meter
PD8-6200	Analog Input Rate/Totalizer
PD8-6210	Analog Input Batch Controller
PD8-6300	Pulse Input Rate/Totalizer
PD8-6310	Pulse Input Batch Controller
PD8-7000	Temperature Meter

Configuration Examples

Any Vigilante® II Annunciator Model: **PD8-158-6R2-1**

Any ProVu® Meter Model: **PD8-6000-6R2**

Any Trident X2 or Snooper Meter Model: **PD8-765-6X2-10**

Your Local Distributor is:

Disclaimer

The information contained in this document is subject to change without notice. Precision Digital Corporation makes no representations or warranties with respect to the contents hereof, and specifically disclaims any implied warranties of merchantability or fitness for a particular purpose. ©2011 Precision Digital Corporation. All rights reserved.

LDS8_B 09/11